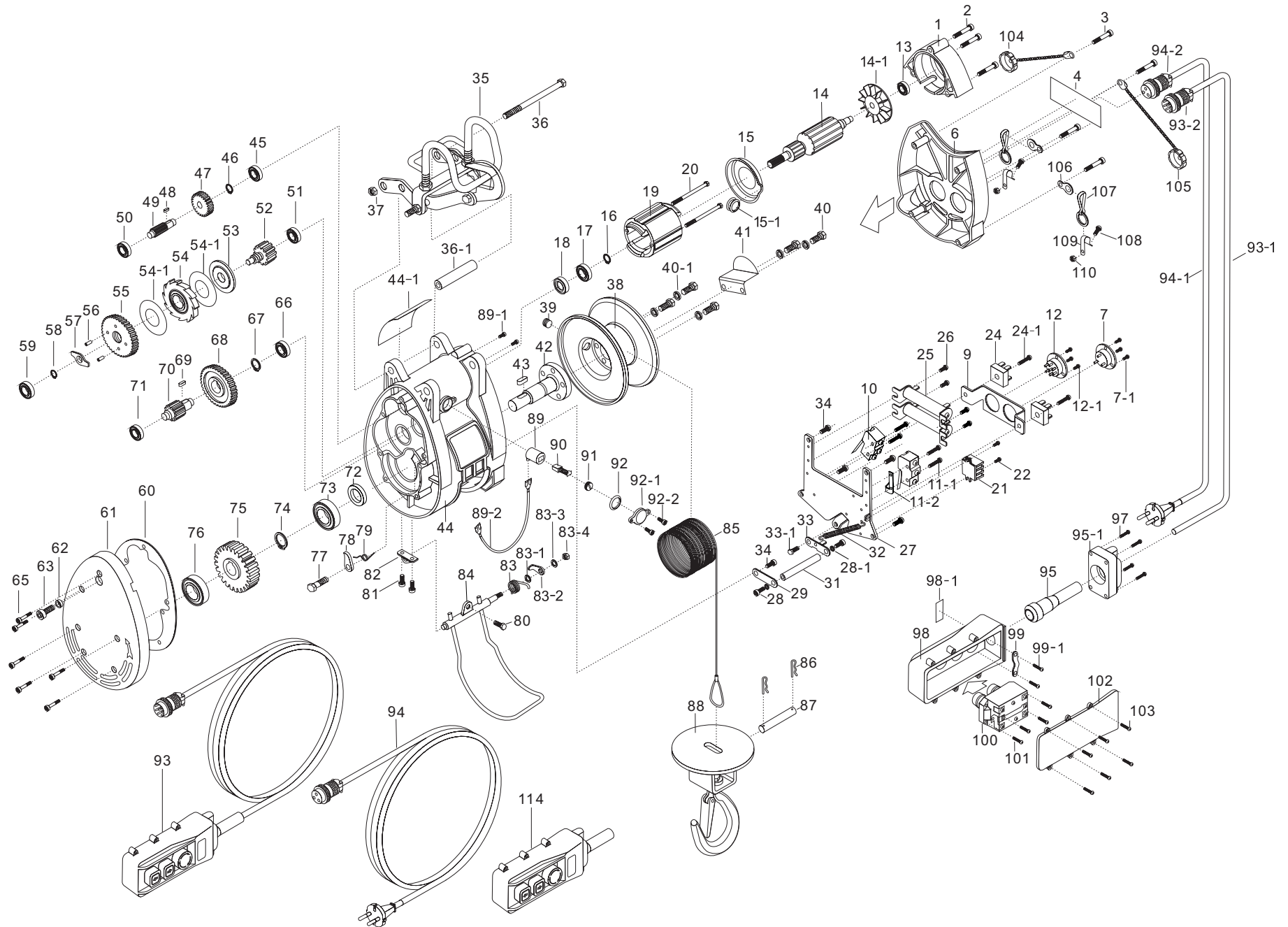


Parts Drawing T-Series 160kg,180kg,230kg,250kg,280kg,300kg,360kg,500kg



No.	Parts description	No.	Parts description	No.	Parts description
1	Motor Cover	37	Nut	81	Screws
2	Socket Bolt	38	Reel Drum	82	Upper Limit Holder
3	Socket Bolt	39	Wire Rope Fixing Screw	83	Spring
4	Label	40	Screw	83-1	Washer
5	Rectifier Fixing Plate (M)	40-1	Spring Washer	83-2	Upper Limit Push Rod
5-1	Screw (M)	41	Wire Rope Side Cover	83-3	Washer
6	Wiring Box Cover	42	Output Shaft	83-4	Nut
7	Power Cable Connector	43	key	84	Upper Limit
7-1	Screw	44	Main Body Base	85	Wire Rope
8	Contacto Fixing Plate (M)	44-1	Sticker	86	R Pin
9	Control Connector Fixing Plate	45	Bearing	87	Wire Rope Fixing Pin
10	Micro Switch	46	Circlip	88	Lower Hook Set
11	Screw	47	First Reduction Gear	89	Carbon Brush Base
11-1	Fixing Plate	48	Key	89-1	Carbon Cable Fixing Screw
12	Switch Cable Connector	49	First Reduction Pinion	89-2	Carbon Base Cable
12-1	Screw	50	Bearing	90	Carbon Brush
13	Bearing	51	Bearing	91	Carbon Brush Cover
14	Rotator	52	Second Reduction Pinion	92	O Ring
14-1	Fan	53	Brake Disk	92-1	Carbon Brush Protection
15	Air Guiding Cover	54	Brass Ratchet Disc	92-2	Screw
15-1	Plastic Tube	54-1	Copper Washer	93	Control Switch Set
16	Circlip	55	Second Reduction Gear	93-1	Switch Cable
17	Bearing	56	Spring Pin	93-2	Switch Cable Connector
18	Oil Seal	57	Rotary Stop Plate	94	Power Cable Set
19	Stator	58	Circlip	94-1	Power Cable With Plug
20	Socket Bolt	59	Bearing	94-2	Power Cable Connector
21	Terminal Block(T)	60	Gasket	95	Cable Support
22	Screw (T)	61	Gear Cover	95-1	Cable Support Socket
23	Electromagnetic Contactor(M)	62	Oil Seal	97	Screw
24	Bridge Rectifier	63	Socket Bolt	98	Switch Box
24-1	Screw	65	Socket Bolt	98-1	Sticker
25	Resistor	66	Bearing	99	Cable Fixing Plate
26	Screw	67	Circlip	99-1	Screw
27	Wiring Rack	68	Third Reduction Gear	100	Internal Switch Contact
28	Screw	69	Key	101	Screw
28-1	Washer	70	Third Reduction Pinion	102	Switch Cover
29	Limit Lever Fixing Plate	71	Bearing	103	Screw
30	Limit Lever Fixing Plate	72	Oil Seal	104	PLT Cover Protection(T)
30-1	Screw	73	Bearing	105	PLT Cover Protection(T)
31	Anti-reverse Reel Push Rod	74	Circlip	106	Twin -Hole Hook
32	Spring	75	Fourth Reduction Gear	107	Clasp
33	Screw	76	Bearing	108	Screw
34	Screw	77	Pawl Screws	109	Cable Fixing Clip
35	Upper Hook Set	78	Pawl	114	Switch Without Cable
36	Socket Bolt	79	Pawl Spring		
36-1	Upper hook Bolt Sleeve	80	Screws		